

Area of Application:

Reservoir breathers and tank filling

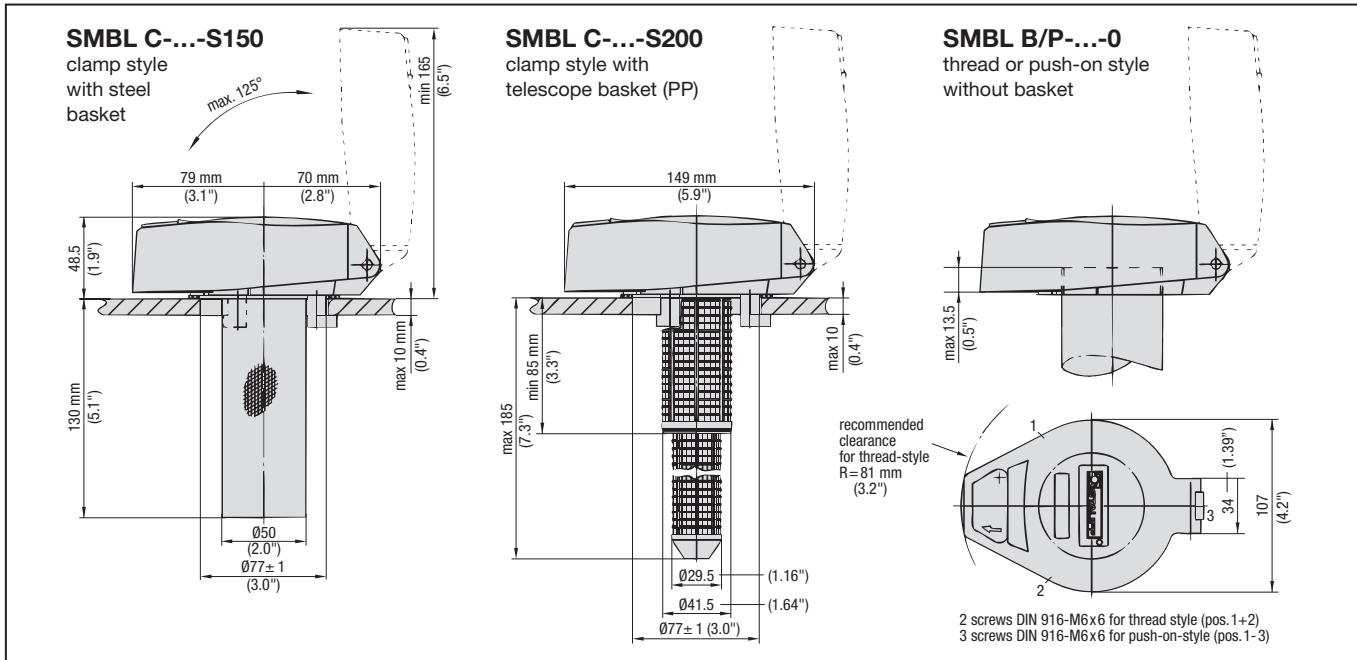
Characteristics/Materials:

- available as thread-style, clamping style and push-on-style
- key-lockable
- Temperature range: -22°F (-30°C) to 212°F (100°C)
- Materials:
 - Body: die cast (zinc-plated / blue chromated)
 - Baskets: zinc-plated steel or polypropylene (see ordering code)
 - Seals: Buna-N, others on request
 - Air filter insert: 10 µm (standard) and 40 µm foam (PUR), others are available upon request
- Including two keys



Dimensions

Dimensions in mm (inch)



Ordering Code

SMBL C - 10 - 1 - S150 - B - O

ACCESSORIES

Type	
SMBL	Filler Breather (lockable)

Connection	
B32	G2 (thread style)
B40	G2 1/2 (thread style)
C	clamping style
P	push-on-style

Micron Rating	
00	without air filter
10	10 micron foam (standard) air filter
40	40 micron foam air filter

Metal Cap Design	
O	lacquered gray RAL 9022 (standard)

Seal Material	
B	NBR (standard)
V	FPM

Baskets	
O	no basket
S-100-P-H	plastic basket 80 mm (See Page A16)
S-150-M-H	steel basket 150 mm (standard)
S-200-P-H-T	plastic basket 200 mm (See Page A16)

Note: baskets from the SMBB-series cannot be used in conjunction with the SMBL breather type

Style (Air Flow)	
1	air flow in both directions (standard)
2	no air flow
3	air flow only into the tank