

Side Mounting Bracket – SMBB-ASMB-1

Area of Application:

Allows side mounting of filler breathers where application has space limitations (suitable for SMBB-80 and SPB 5)

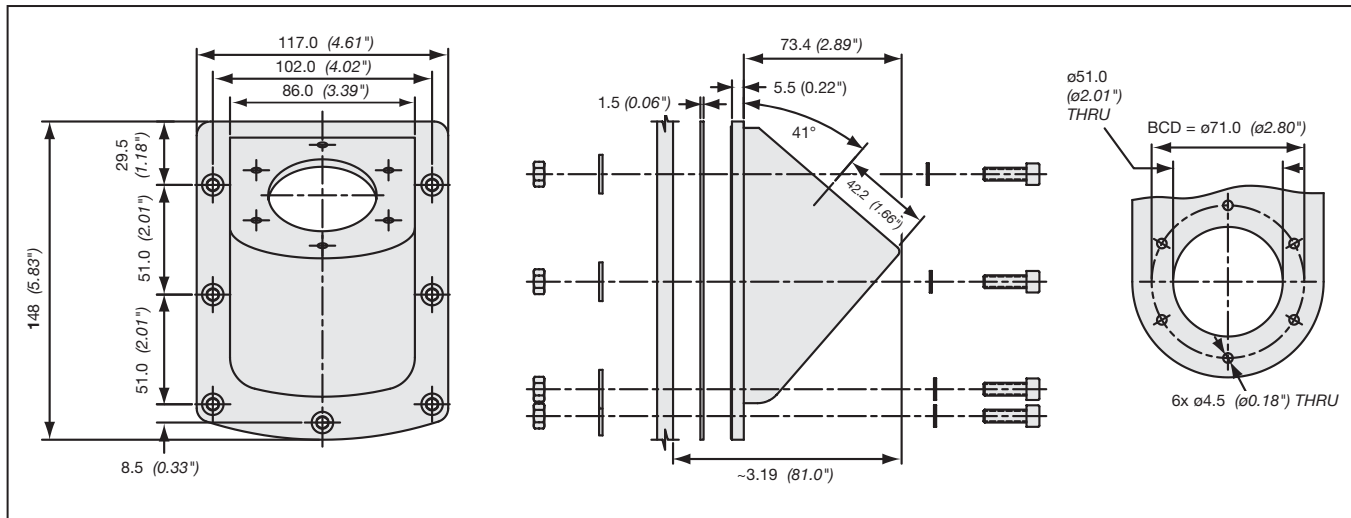
- Materials:** **SMBB-ASMB-1**
- Housing: Polyamide
 - Seals: Composite gasket
 - Screws: Steel, zinc-plated M6x 25 DIN 912
 - Nuts: Steel, zinc-plated M6 DIN 934
 - Washers: Steel, zinc-plated
 - Mounting screws: Steel, zinc-plated 4.8x13 DIN 7981

Seals, screws, washers and nuts are supplied with the SMBB-ASMB as standard

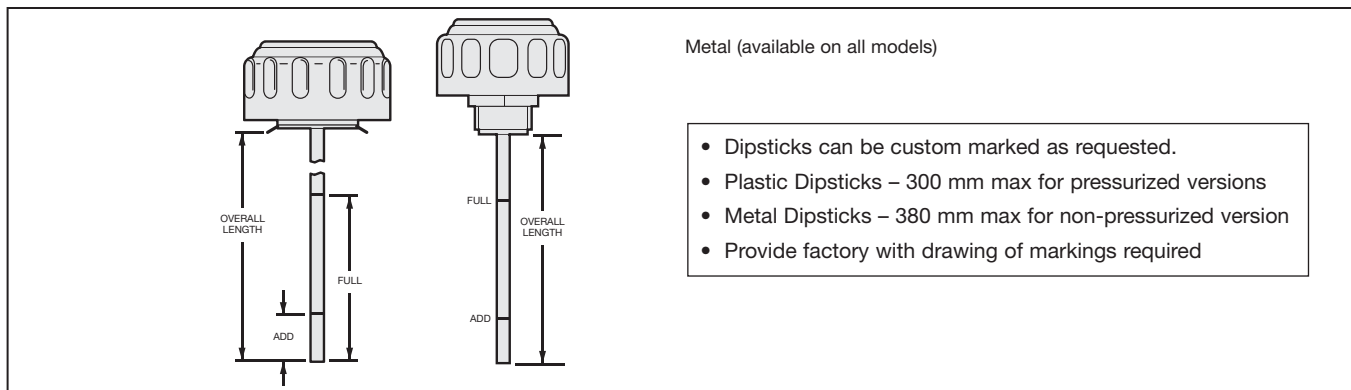


Dimensions SMBB-ASMB-1

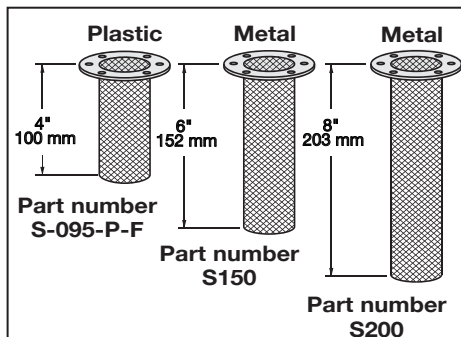
Dimensions in mm (inch)



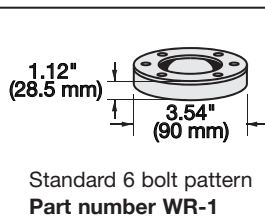
Dipstick Options



Additional Baskets



Weld Riser



Extended Bayonet Flange

