

## Specifications

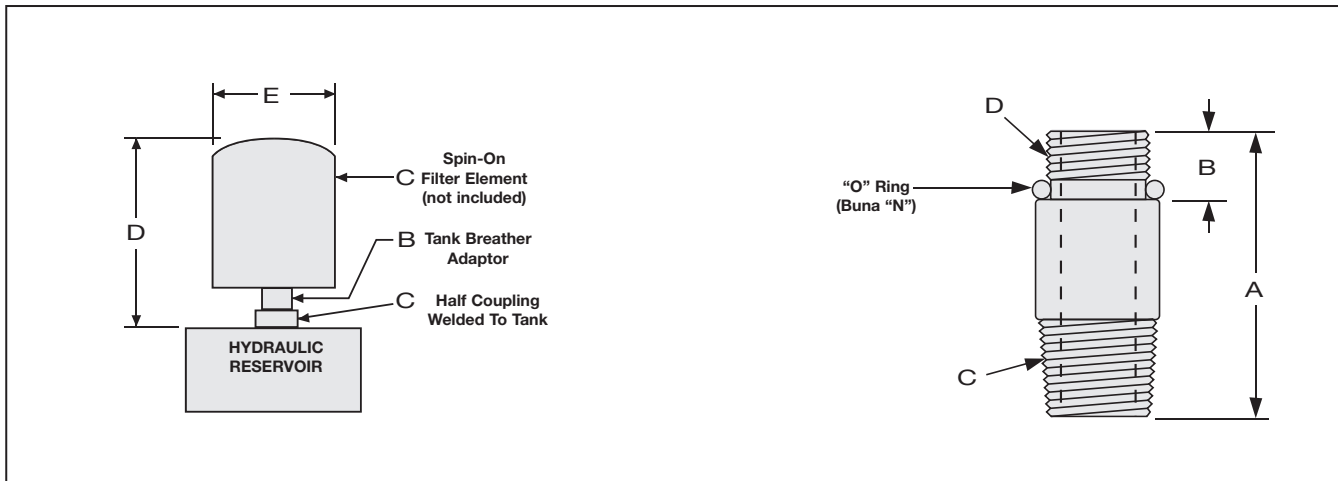
- Steel Construction, Zinc Plated
- Buna-N "O"-Ring
- Air Flows to 64 cfm / 480 gpm

## Options

- Available with 3/4" or 1-1/4" Male NPT attachment
- Available with 1" - 12", 1-1/2" - 16" Element attachment Thread to fit SF6500 & SF6700 Series Element



## Dimensions



Filler Breather Adaptor	A		B		C Male Pipe Thread	D Element Attached Thread	Element Options	Micron Rating	Air Flow cfm/gpm
	mm	in	mm	in					
<b>TBA-075</b>	57.15	2.25	12.7	0.5	3/4" NPT	1" - 12 UNF	SF 6520/21 SF 6549	10µ 3µ	73/172 20/47
<b>TBA-120</b>	7.62	3	12.7	0.5	1 1/4" NPT	1 1/4" BSP	SGB-120 SFC-5710E SFC-5810E	3µ 10µ 10µ	55/395 166/440 166/440
<b>TBA-125</b>	76.2	3	12.7	0.5	1 1/4" NPT	1 1/2" - 16 UNF	SF 6720/21 SF 6703/04	10µ 3µ	159/440 135/262

ACCESSORIES

## Ordering Information

**TBA - 075**

Product	
TBA	Filler Breather Adaptor

Size	(Pipethread Adaptor / Element Port)		
075	3/4" NPT	/	1"-12 UNF
120	1 1/4" NPT	/	1 1/4" BSP
125	1 1/4" NPT	/	1 1/2"-16 UNF

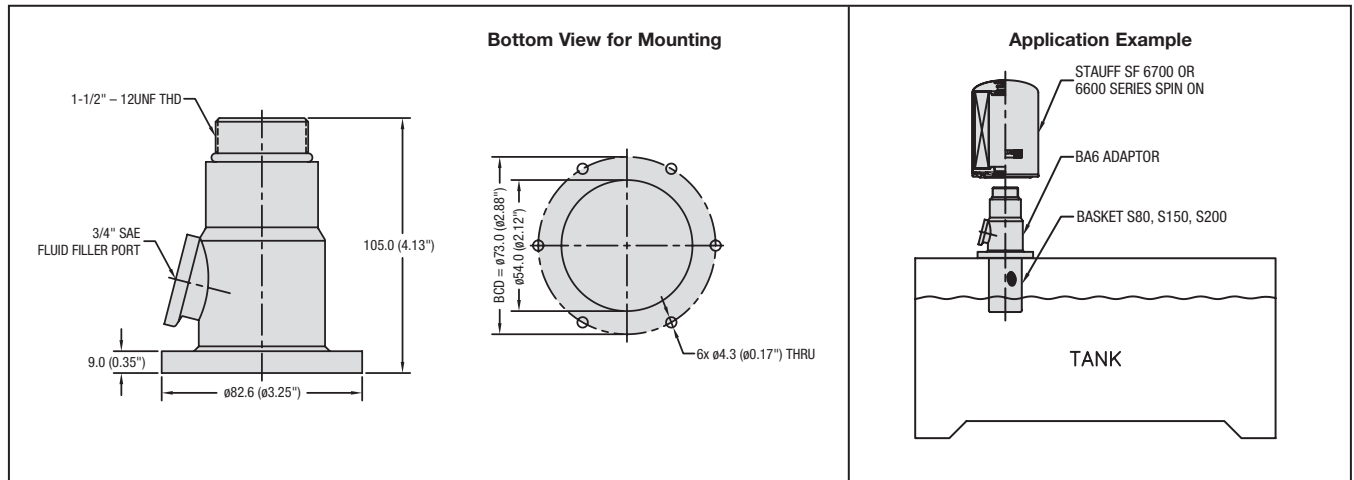
## Specifications

- Material: Cast Aluminum
- 3/4" SAE O-Ring Fluid Filler Port
- Supplied with O-Ring, Gasket and Mounting Hardware
- For Use with Stauff SF6600 and SF6700 Series Spin-On Filters
- Can Be Used with Stauff Filler Breather Wire Baskets S80, S150, S200 Steel-mesh Baskets and S-095-P-F Plastic Basket



## Dimensions

Dimensions in mm (inch)

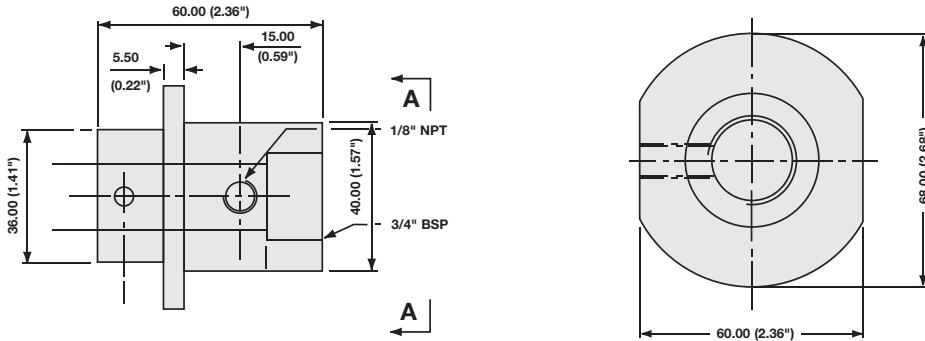


**PART NUMBER**

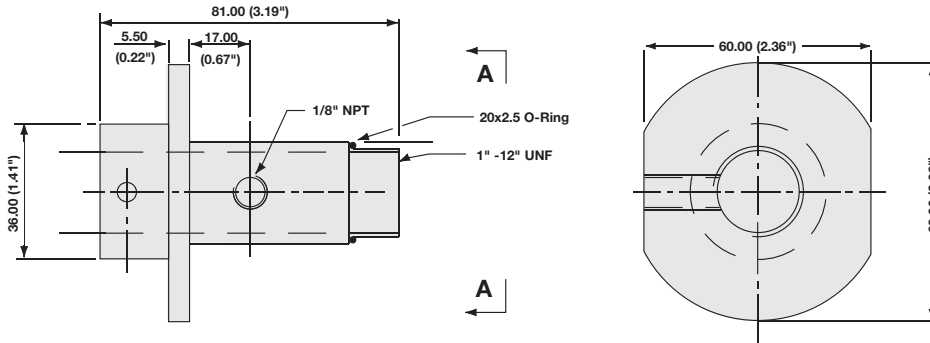
BA-6

## Bayonet Adaptors – Black Anodized Aluminum

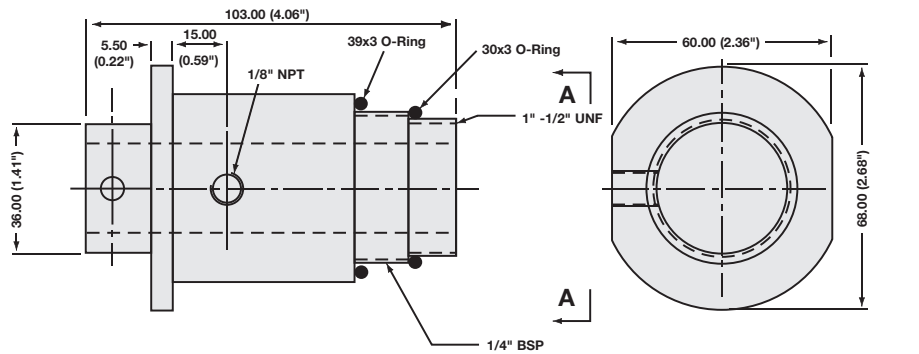
**BA-1** • For Use With the SDB-93 and SDB-96 Desiccant Breathers • Buna-N Seals



**BA-2** • For Use With all SF-65xx Series Elements • Buna-N Seals



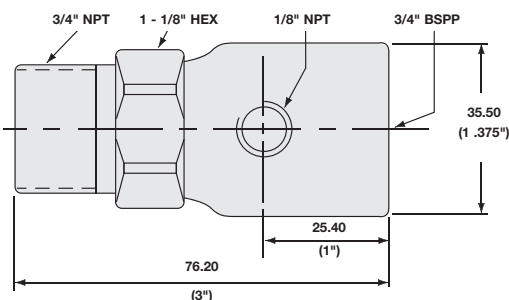
**BA-3** • For Use With the SGB-120 Breather and SF-67xx Series Spin-On Elements • Buna-N Seals



Dimensions in mm (inch)

## Threaded Adaptor – Black Anodized Aluminum

**DBA-75** • For Use With the SDB-93 and SDB-96 Desiccant Breather



\*All Adaptors Have 1/8" NPT Port for Attachment of the FM-1 Filter Minder