

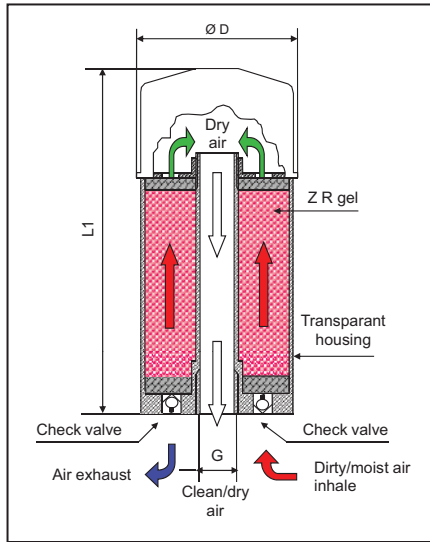
## Specifications

Combination air breather and water removal filter to handle flows up to 400 l/min (105.7 GPM) Integrated check valve to isolate the desiccant material from atmosphere during static conditions.

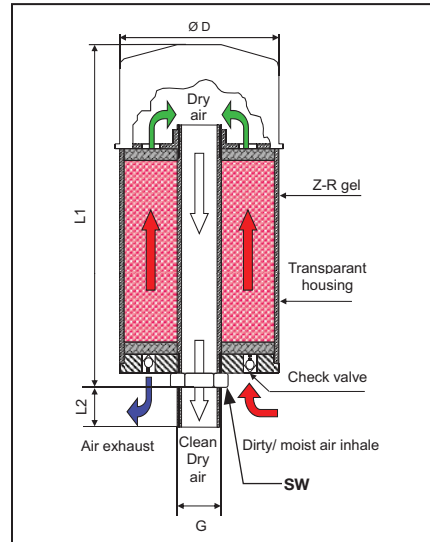
- Spring Loaded check valves 0.01 bar (0.15 PSI)
- Desiccant isolated from atmosphere unless inhaling or exhaling
- Increased life time of Z-R gel
- 3 micron absolute are filter. When saturated either the air filter or desiccant gel can be replaced as needed



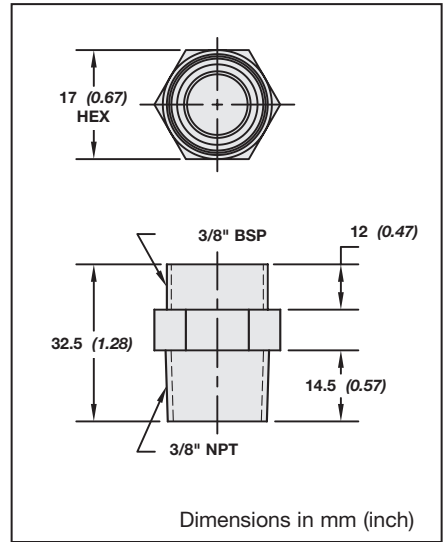
**SDB-061-CV Mini Breather**



**SDB-121-CV**



**BA-5B For SDB-061-CV**



## Technical Information

Part No.	D		L1		L2		G		SW		Max Flow Rate		Air Filter Micron Rating	Weight of Complete Unit		Desiccant Volume		Max Water Holding	
	mm	in	mm	in	mm	in	-	-	mm	in	l/min	US GPM	µm	g	lb	cc	in <sup>3</sup>	g	lb
SDB-061-CV	68	2.7	135	5.3	-	-	G3/8	female	-	-	50	13.2	3	350	0.77	100	6.1	29	0.06
SDB-121-CV	123.5	4.9	256	10.1	25	1.0	G1-1/4	male	50	1.97	400	105.7	3	2700	6.0	1000	61.0	288	0.63

## Ordering Code

**SDB - 121-CV - AP - FM**

Type	
SDB	Desiccant Air Breather
Size	
061-CV	SDB 061 Mini with Check Valves
121-CV	SDB 121 with Check Valves
Adaptors	
(None)	Without Adaptor
AP	With Adaptor Plate (SDB-121)
BA	With BA-5A adaptor (SDB-061)
Contamination Indicator (in conjunction with AP only)	
(None)	Without contamination indicator
FM	Visual contamination indicator

Spare Parts	
AP-2	Adaptor Plate for SDB-121-CV
BA-5B	Adaptor Fitting for SDB-061-CV
FM-1	Contamination Indicator for SDB
RD-061	Replacement Gel for SDB-061-CV
RD-121	Replacement Gel for SDB-121-CV
SGB-060-03-B	Replacement Air Filter for SDB-061-CV
SGB-120-03-B	Replacement Air Filter for SDB-121-CV