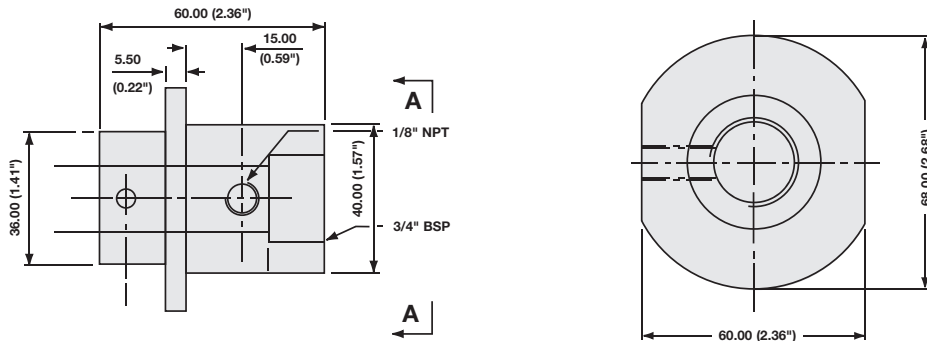
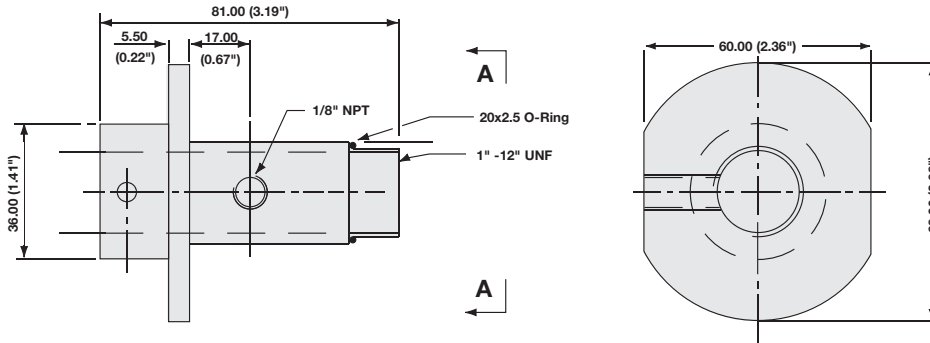


Bayonet Adaptors – Black Anodized Aluminum

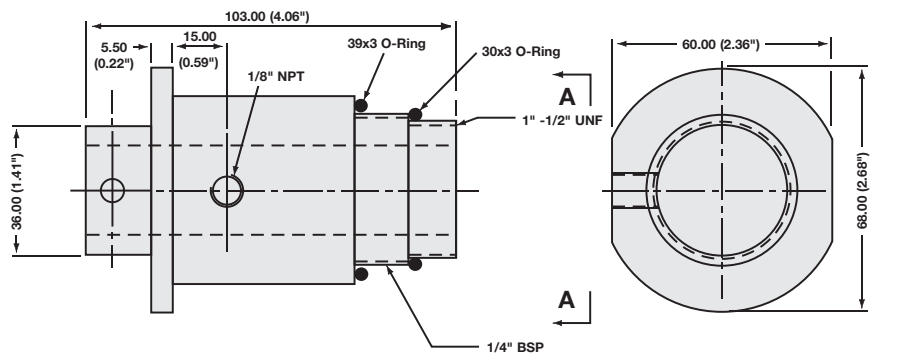
BA-1 • For Use With the SDB-93 and SDB-96 Desiccant Breathers • Buna-N Seals



BA-2 • For Use With all SF-65xx Series Elements • Buna-N Seals



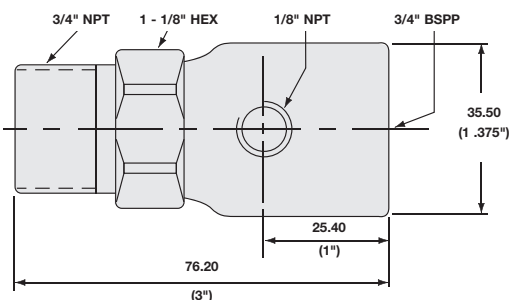
BA-3 • For Use With the SGB-120 Breather and SF-67xx Series Spin-On Elements • Buna-N Seals



Dimensions in mm (inch)

Threaded Adaptor – Black Anodized Aluminum

DBA-75 • For Use With the SDB-93 and SDB-96 Desiccant Breather



*All Adaptors Have 1/8" NPT Port for Attachment of the FM-1 Filter Minder